

Adjust the movement of the tripod legs

The supplied Allen-key can be used to tighten or loosen each individual leg connector at the tripod base.

Please note: For an optimal vibration-damping please tighten the leg connectors in such a way that the legs do not fold on their own when the tripod is lifted.



Technical data: TrioPod-M tripod base

Weight (with center column)	650 g / 1.43 lbs
Weight (without center column)	495 g / 1.09 lbs
Tripod base diameter	Ø 80 mm / 3.15"
Upper threaded screw (base, with center column)	1/4" and 3/8"
Upper threaded screw (base, without center column)	3/8"
Base increase by means of a central column	270 mm / 10.6"
Side accessories connectors	2 x 1/4" + 2 x 3/8"
Locking angle of the leg connectors	20°, 40°, 60° and 87°

Information

For more information, advice and tips concerning our products contact your photo dealer, the distributor of NOVOFLEX products in your country (have a look at "Where to buy" section at our website to find your distributor) or visit our website www.novoflex.com

For personal advice about possible accessories which is suitable for your NOVOFLEX product please contact the following phone number or send us an E-mail.

Novoflex Phone.: +49 8331 88888

Novoflex E-Mail: mail@novoflex.de

© Novoflex Präzisionstechnik GmbH
Brahmsstraße 7
D-87700 Memmingen, Germany
Phone +49 8331 88888, Telefax +49 8331 47174
Email mail@novoflex.de, Internet www.novoflex.com



TrioPod-M

USER MANUAL

N

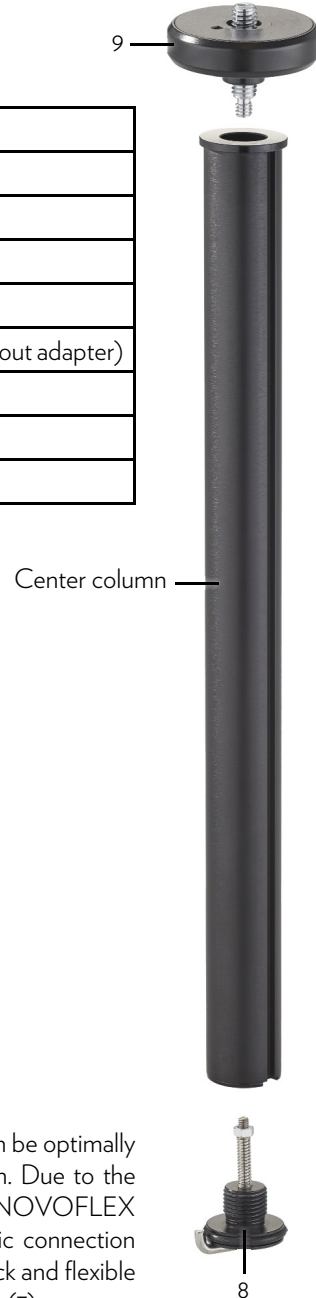
NOVOFLEX



Congratulations on your purchase of the new modular NOVOFLEX TrioPod-M tripod. You'll find it very simple to use, and these tips will help you get familiar with it quickly and to enjoy all the benefits.

Nomenclature

1	Thread screw 3/8" for tripod head
2	Basic connection piece, exchangeable for center column
3	Unlocking button for leg connector: 3 x
4	Stoppable leg connector: 3 x
5	Accessory connector with guide hole: 2 x 1/4"
6	Accessory connector 2 x (3/8" with adapter 1/4" and 3/8" without adapter)
7	Fixing lever for basic connector or center column
8	Spring-loaded hook insert (bottom) for center column
9	Support plate with exchangeable 1/4" and 3/8" thread screw



Product description

Thanks to the modular construction, the tripod base TrioPod-M can be optimally equipped with different legs and accessories for every application. Due to the 80mm diameter, the base is ideal for large ball heads such as the NOVOFLEX CB5II, which has the same base diameter. Alternatively, the basic connection piece (2) can be exchanged for the center column and enables quick and flexible adjustment. The height set in this way is fixed using the lateral lever (7).

Tripod legs

To change the legs, unscrew them clockwise from the respective leg connector (4) or screw them counterclockwise into the connector.

Handling

Adjust leg length

Hold the respective tripod leg with the right hand in the upper area by the rubber, while you operate the locking rings with the left hand. This prevents the tripod leg from accidentally disassembling from the base. Adjust the length by pulling it out and close the locking rings again.



Tips:

When setting up the tripod, you can also open all locking rings at the same time by grasping all locking rings with your hand.

Each tripod leg has marking rings in the upper area. This facilitates the uniform length adjustment of all legs.

Adjust leg angle

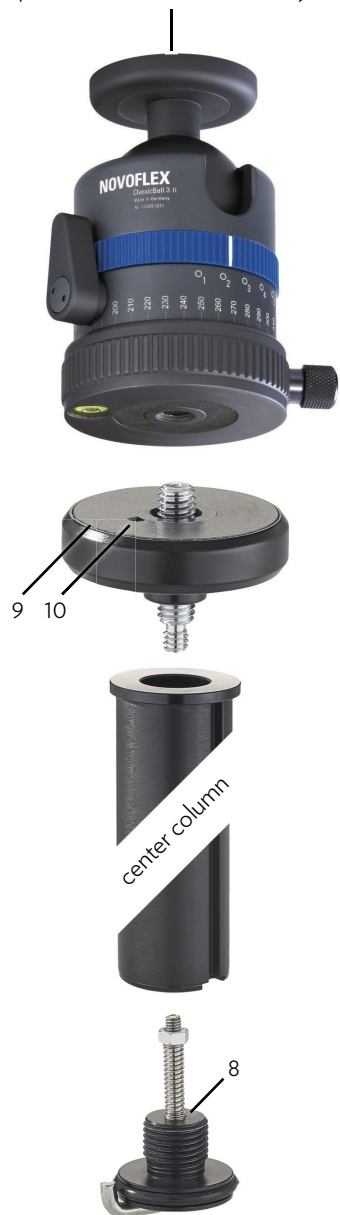
The latching of the legs is unlocked by pressing the blue unlocking buttons (3) down and simultaneously pressing the respective tripod leg inwards.

With the button pressed, you first set a relatively large angle (larger than wanted). After that, take your finger off the button and swing your leg down. This clicks audibly into different positions. Once the desired locking angle has been found, move the leg back a little until it stops.

Tripod head on center column

Any tripod head, ball head or head with 1/4" or 3/8" threaded hole can be mounted on the center column.

Tripod head (here as an example the CB 3 II, not included)



- Open the side fixing lever (7) and guide the basic connection piece (2) down out of the central opening.
- Now take the center column by hand and first turn the upper support plate (9) counterclockwise out of the center column. Use the threaded screw to mount the ball head or tilt head. The screw has a 1/4" thread on one side and the larger 3/8" thread on the other side. To change, remove the screw and put it upside down into the hole of the mounting plate.
- Now screw the unit threaded screw - mounting plate into the tripod head from below.
- Now turn the unit mounting plate - tripod head as far as possible into the center column.
- Insert the center column into the central opening from above. Pay attention to the correct position of the side milling of the column. Close the fixing lever (7) and then reassemble the spring-loaded hook insert (8) at the lower end.

Tip:

For working close to the ground, the center column can also be pushed "upside down" from below into the central opening.

Tip:

To additionally secure the tripod head against twisting, it can be fixed from below using a grub screws (10). Use a suitable Allen-key and turn the grub screw **from below** up to the stop.

Disassembly is done in reverse order.

Tripod legs (available separately)

We offer a large selection of different tripod legs for the various TrioPod-M versions. In carbon or aluminum, with 2, 3, 4 or 5 segments, short legs for macro shooting situations and much more. All aluminum and carbon legs can also be used individually in combination with a special support plate (QP-MONO) as a monopod.



Tip:

Our complete range, details and technical data of the respective tripod legs can be found on our website www.novoflex.com.

Accessories (available separately)

For maximum stability, we recommend the NOVOFLEX ClassicBall 5 II for mounting above the tripod base using the basic connection piece (2).

The center column is ideal for small ball heads from the ClassicBall, MagicBall or Ball series. The height can be adjusted in seconds using the lateral fixing lever (7). In this case, the basic connection piece (2) can be screwed into the side of an accessory connector (6) with 3/8" internal thread and used as a holder e.g. serve for a photo backpack (Fig. below).

The same function can be performed by two of our 20 cm long tripod legs Mini with rubber feet (QLEG A1010 Mini), which are screwed into the two accessory connectors with guide holes (5). Alternatively, our 15cm long rods (STA15) e.g. can be used as a holder for flashes or reflectors in macro photography.



With the help of the two side accessory connectors (6), goosenecks and similar accessories can also be mounted to use flash units, clamps, etc. on the other ends. For this there are two 3/8" holes with one 1/4" adapters, which can be unscrewed if necessary.

The picture on the left shows our gooseneck with ball head and flash shoe (MARM), for attaching and flexibly aligning microphones, lights, flash units, etc.

Assembly

Tripod head on basic connection piece

Above the tripod base, each ball head or tilt head can be mounted with a 3/8" threaded hole.



- Open the side fixing lever (7) and move the basic connection piece (2) from the bottom all the way up to the stop. Close the fixing lever in this position.
- Place the tripod head in the middle of the unit and tighten the threaded screw (1), that goes through the basic connection piece, from below using the supplied Allen-key.
- Check that the tripod head is secure.
- For disassembly, proceed in the reverse order.

Note: Many of our NOVOFLEX tripod heads have this 3/8" threaded hole on the bottom, in which a silver 1/4" adapter is inserted. If necessary, unscrew this adapter before assembly.